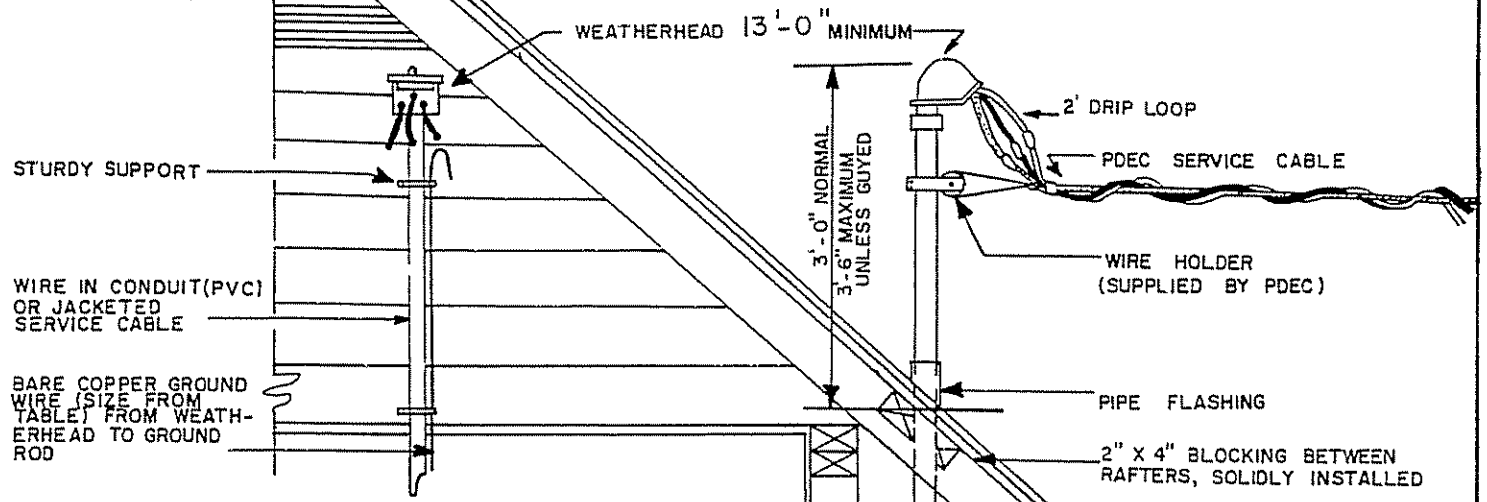
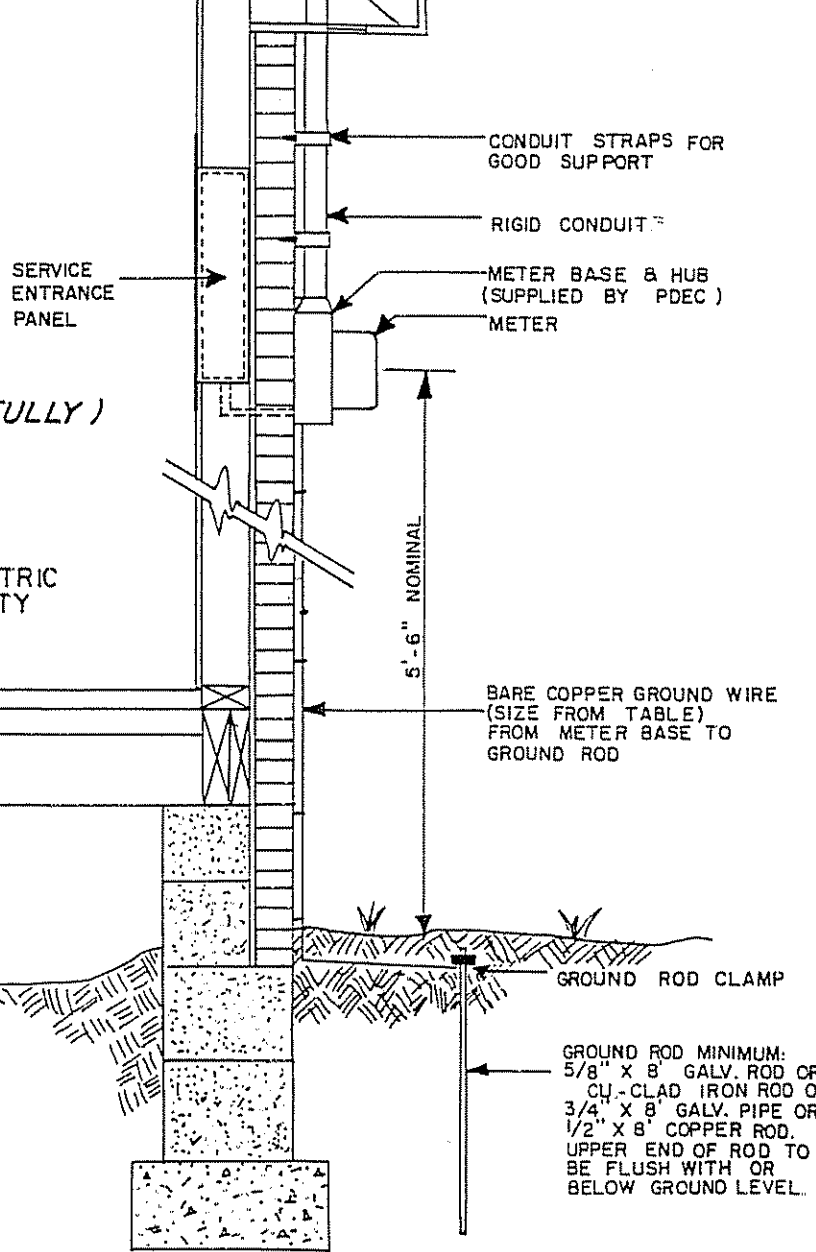


**PEE DEE ELECTRIC COOPERATIVE, INC.**  
**OVERHEAD SERVICE ENTRANCE**



MAIN ENTRANCE SIZE IN AMPS	SIZE COPPER SERVICE WIRE	SIZE RIGID CONDUIT	SIZE ALUMINUM SERVICE WIRE	SIZE RIGID CONDUIT	SIZE GROUND WIRE (COPPER)
100	#4	2"	#2	2"	#6
150	#1	2	2/0	2	#6
200	2/0	2	4/0	2	#4
225	4/0	2	300 MCM	2 1/2	#2
250	250 MCM	2 1/2	350 MCM	2 1/2	#2
300	350 MCM	3	500 MCM	3	#2
400	500 MCM	3			1/0



NOTES: ( PLEASE READ CAREFULLY )

- 1 ALL METER LOCATIONS MUST BE APPROVED BY P. D. E. C.
- 2 THIS IS A GENERAL OUTLINE. SPECIFIC CASES MAY VARY. THE NATIONAL ELECTRIC CODE AND NATIONAL ELECTRIC SAFETY CODE GOVERN.

*THIS SPEC SHEET IS NOT FOR MOBILE HOMES. (SEE OTHER SIDE)*

GROUND ROD MINIMUM:  
 5/8" X 8' GALV. ROD OR  
 CU-CLAD IRON ROD OR  
 3/4" X 8' GALV. PIPE OR  
 1/2" X 8' COPPER ROD.  
 UPPER END OF ROD TO BE FLUSH WITH OR BELOW GROUND LEVEL.